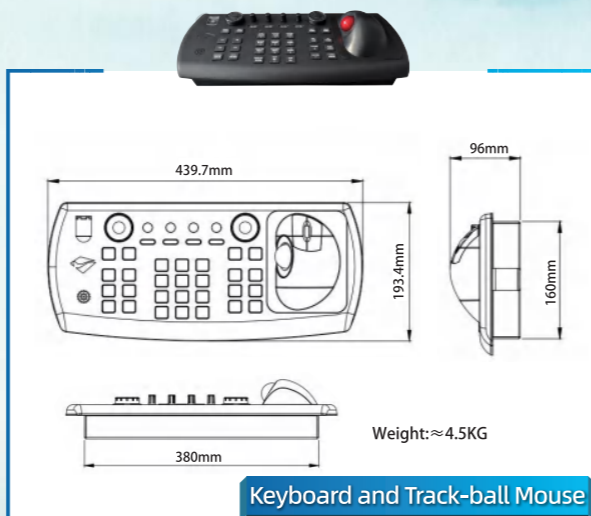
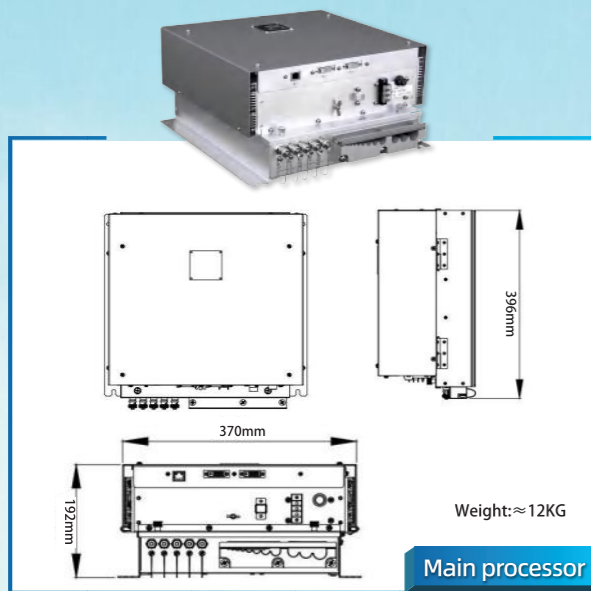
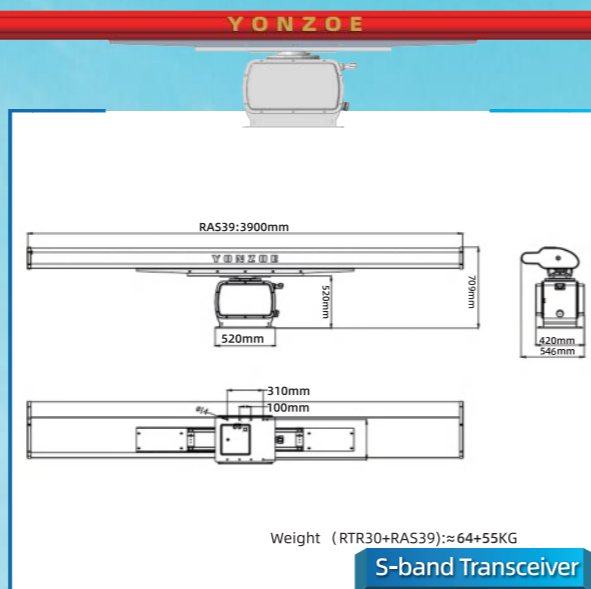
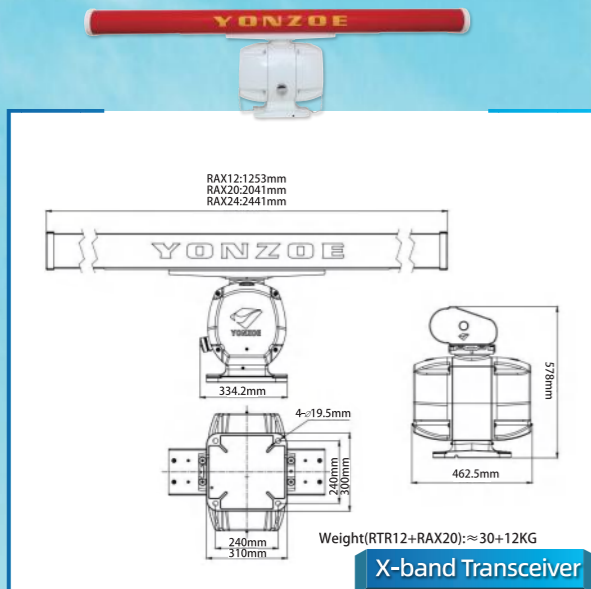


1 The YAR27 Series IMO Marine Radar



Features

- Unique suppression technology for noise reduction, wave clutter, and rain clutter. Excellent performance in small targets detection, far in distance.
- Relative and ground true trails function, monochromatic or gradual in trail color, easy to identify the moving vessels.
- Up to 200 ARPA targets (TT), and 1000 AIS targets, support fusion of the TT and AIS targets.
- Rich radar map marks, 200 waypoints, 30 nav-lines.
- Setting polygon surveillance area by mouse or Latitude/Longitude, suitable for specific area monitoring, such as fish farms.
- Complete self-test function, with modular architecture, easy to maintain.
- Support manual heading and position input, convenient for shore-based platform surveillance, no compass and navigator needed.
- Support bilingual menu, Chinese or English.
- Optional built-in radar Performance Monitor.

SPECIFICATIONS

• Antenna & Scanner Unit

Name	Parameters			
Model	X-band	S-band		
Output frequency	9410±30MHz	3050±30MHz		
Output power (peak)	RTR12 12.5kW	RTR25 25.0kW	RTR30 30.0kW	
Antenna Type	Slotted waveguide array			
Polarization	Horizontal			
Model	RAX12	RAX20	RAX24	RAS39
Length	4ft (1.2m)	6.5ft (2m)	8ft (2.4m)	13ft (3.9m)
Beam width(H)	1.85°	1.25°	0.95°	1.80°
Beam width(V)	22°	22°	22°	24°
Sidelobe within±10°	-24dB	-28dB	-28dB	-24dB
Sidelobe outside±10°	-30dB	-32dB	-32dB	-30dB
Rotation	24rpm			
Pulse length	0.075us; 0.15us; 0.3us; 0.5us; 0.7us; 1.2us			
Pulse repetition frequency	500Hz; 1000Hz; 1500Hz; 3000Hz			
If	60MHz			
Minimum range	25m			
Range discrimination	25m			
Range accuracy	1% of maximum range in use or 30m, which is greater			
Bearing accuracy	≤1°			
Environmental conditions				
Ambient temperature	-25° C ~ +55° C	IEC 60945 Ed. 4		
Storage temperature	-30° C ~ +70° C	IEC 60945 Ed. 4		
Waterproof	IPX6	IEC 60529		
Performance Monitor				
Model	RPM-X	RPM-S		
frequency	9410 ± 45MHz	3050 ± 45MHz		
Input power	+8 ~ +28dBm			
Input pulse length	≥ 1us			
Output power (2nd pulse)	-56 ~ -36dBm			
Step level	+9 ~ -11dB First to second pulse			
Temperature	-30° ~ +80° C			

*RPM is an optional

• Display & Processor Unit

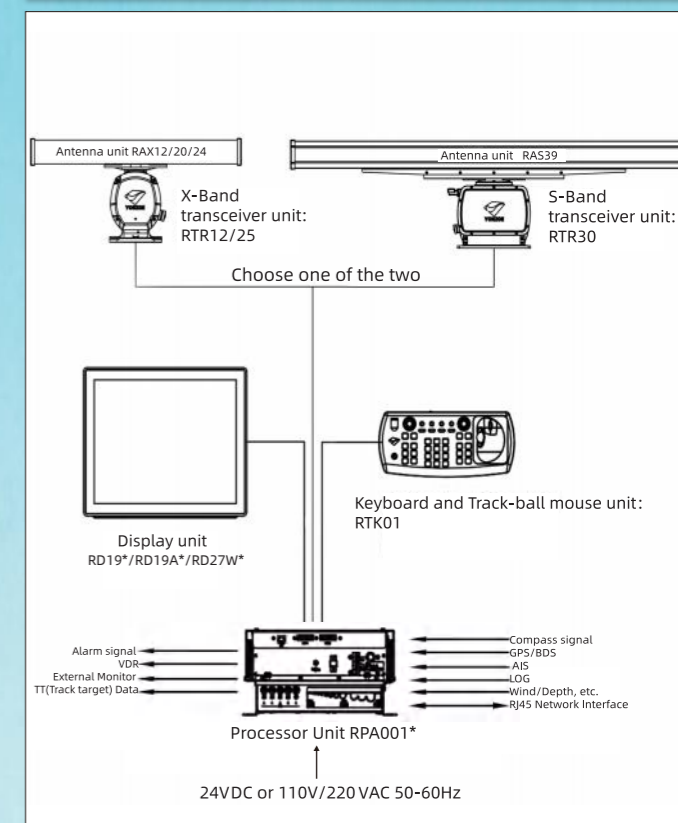
Name	parameters	Note	
Display size, model	RD19x 19.0" / 290mm	RD27x 27" / 323mm	
Effective radar diameter	1280X1024	1920X1080	
Resolution	Yellow, Green echoes in 32 levels		
Color	(NM) or (km)		
Range unit	Head up ; Head up true bearing ; North up ; North up true motion; Course up ; Stem up ;		
Display mode	15s-25min selectable		
Relative or true trails	Max 200ARPA target; 0.1N-24NM		
Target track	1000 targets		
AIS	IMO SN/Circ. 217; IEC/PAS 60936-5		
Radar map	Navline, waypoints, shorelines, buoys, etc.		
Range (NM)	0.125 0.25 0.5 0.75 1.0 1.5 2 3 6 12 24 32 48 96		
No. of rings	5 5 5 5 5 5 4 6 6 6 6 6 4 6 8		
Ring interval (NM)	0.025 0.05 0.1 0.15 0.2 0.3 0.5 0.5 1 2 4 8 8 12		
Interface	HDT; GPS/BDS; AIS; LOG; WIND; DEPT; VDR; ARPA DATA; ALARM; RJ45		
Power	Monitor	RDxx RDxxD 110VAC (85-130V) -2.0A 220VAC (170-260V) -1.0A 24VDC (18-36V) -10A	xx: 19" 或 27"
	Processor	RPA001 RPA001D 110VAC (85-130V) -4.0A 220VAC (170-260V) -2.0A 24VDC (18-36V) -20A	with 'D' for DC
Temperature			
Ambient temperature	-15° C ~ +55° C	IEC 60945	
Storage temperature	-30° C ~ +70° C	IEC 60945	
Waterproof	IPX2		

*Connecting cables: 30m Standard, cable mode is "RC25".

C

MARINE RADAR

CONNECTIONS



SELECTION TREE

