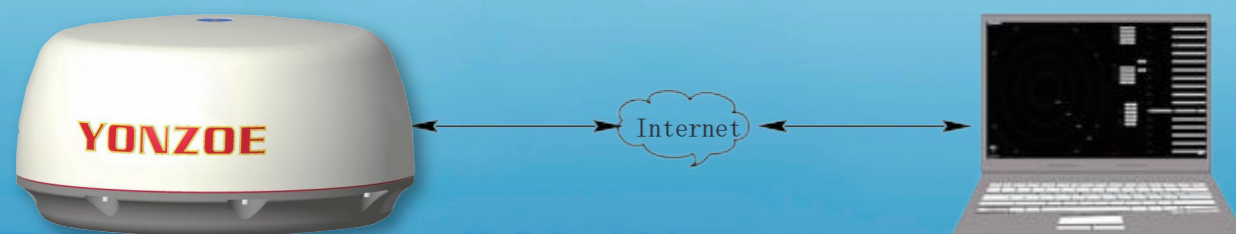


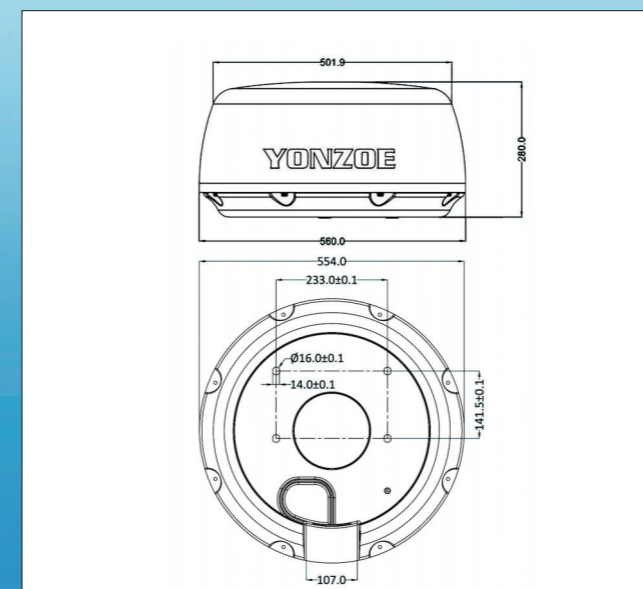
4 The YR18 Series Solid-State Radar



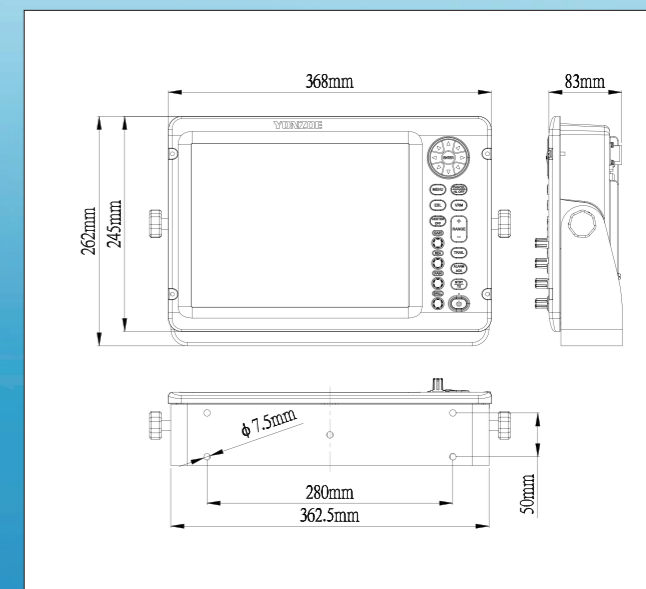
Name	Upgraded version information
Signal system	Pulse compression
Frequency	X-band, 9400-9500MHZ
Peak power	10W, 25W
Modulation bandwidth	Max 48MHz
Rotation rate	24/36RPM adjustable; 48/60RPM optional
Beam width	4.9° horizontal, 2.5° with Sharpening; 25° Vertical
Sidelobe	Inside±10° -18dB; Outside±10° -23dB
Range	50m~24NM
Scanning time	40ns~64 μ s
Repeat frequency rate	700~2400Hz
TT Qty	200

SPECIFICATIONS

● Scanner Unit



● Display & Processor Unit



Features

- All direction, any weather, long distance.
- Low power consumption: 24W (no display).
- Compass and position interface.
- Automatic target tracking algorithm.
- Up to 200 automatic target tracking and acquisition.
- Output radar video data.
- Optional output compass or position information.
- Support remote operation.
- Built-in intelligent obstacle avoidance algorithm (optional).
- Provide DEMO SDK, source code is available.